

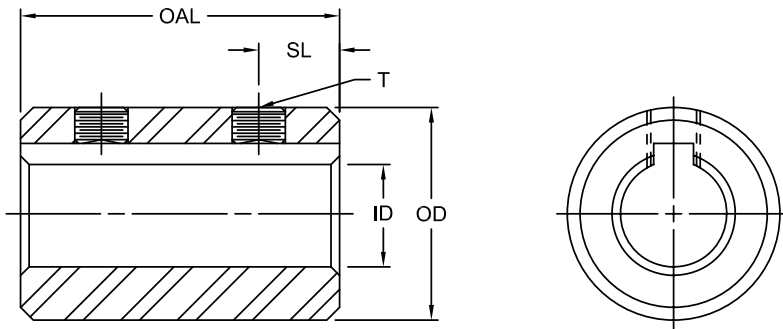


**Rigid Sleeve Couplings**

Lovejoy Rigid Sleeve couplings fit the standards of the industry. These couplings, the simplest type, provide a fixed union between two shafts which are precisely aligned. They are suitable for use in joining any two shafts when flexibility is not required, shaft alignment is maintained and proper bearing support is provided. Bore tolerances are  $-.000/+0.002$ .



Rigid Sleeve



**Rigid Sleeve Dimensional Data**

Size	UPC Number	OAL in	SL in	T Bolt in	OD in	ID Max Bore	
						in	mm
SC-250	14322	0.75	0.19	8-32 x 1/8	0.50	0.250*	6
SC-312	14324	1.00	0.25	8-32 x 1/8	0.62	0.313*	8
SC-375	14326	1.00	0.25	10-24 x 3/16	0.75	0.375*	10
SC-500	14330	1.50	0.38	1/4-20 x 3/16	1.00	0.500	13
SC-625	14332	2.00	0.50	5/16-18 x 1/4	1.25	0.625	16
SC-750	14335	2.00	0.50	5/16-18 x 5/16	1.50	0.750	19
SC-875	14338	2.00	0.50	5/16-18 x 5/16	1.75	0.875	22
SC-1000	14343	3.00	0.75	3/8-16 x 3/8	2.00	1.000	25
SC-1125	14346	3.00	0.75	3/8-16 x 3/8	2.12	1.125	29
SC-1250	14349	4.00	1.00	3/8-16 x 3/8	2.25	1.250	32
SC-1375	14352	4.50	1.00	3/8-16 x 3/8	2.50	1.375	35

Notes: ■ \* indicates: These sizes do not have keyways.  
 ■ When referencing the Lovejoy UPC number in this table, include 685144 as a prefix to the number shown.

SP